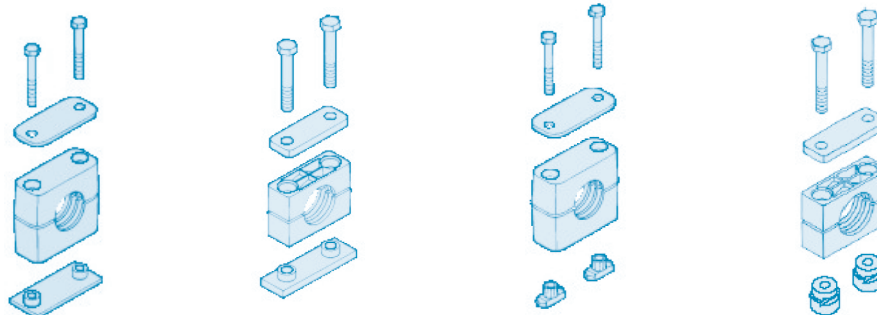


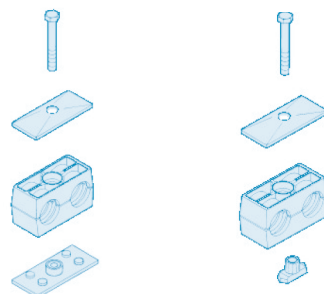


SUPPORT À TUBE - SIMPLE

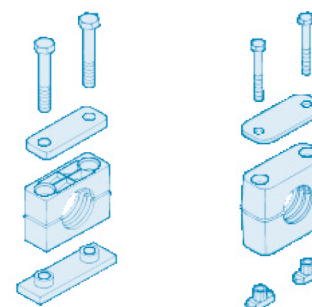


No. tube	Diam. Ext.	Standard	«Heavy duty»	Standard avec patin	«Heavy duty» avec patin
TY-04	1/4	SP1064PPDPAS	SPAL3064SPPDP	SM1064PPDPAS	GMV3064SPPDP
TY-06	3/8	SP1095PPDPAS	SPAL3095SPPDP	SM1095PPDPAS	GMV3095SPPDP
TY-08	1/2	SP2127PPDPAS	SPAL3127SPPDP	SM2127PPDPAS	GMV3127SPPDP
TY-10	5/8	SP2160PPDPAS	SPAL3160SPPDP	SM2160PPDPAS	GMV3160SPPDP
TY-12	3/4	SP3190PPDPAS	SPAL4190SPPDP	SM3190PPDPAS	GMV4190SPPDP
TY-14	7/8	SP3222PPDPAS	SPAL4222SPPDP	SM3222PPDPAS	GMV4222SPPDP
TY-16	1	SP3254PPDPAS	SPAL4254SPPDP	SM3254PPDPAS	GMV4254SPPDP
TY-20	1 1/4	SP5320PPDPAS	SPAL5320SPPDP	SM5320PPDPAS	GMV5320SPPDP
TY-24	1 1/2	SP5381PPDPAS	SPAL5381SPPDP	SM5381PPDPAS	GMV5381SPPDP
TY-32	2	SP6508PPDPAS	SPAL6508SPPDP	SM6508PPDPAS	GMV6508SPPDP

SUPPORT À TUBE - DOUBLE



SUPPORT À PIPE - SIMPLE

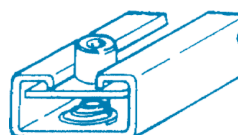


No. tube	Diam. Ext.	Standard	Standard avec patin	No. pipe	Diam. Nominal	«Heavy duty»	Standard avec patin
TY-04	1/4	SP1064/064DPPG	SM1064/064/DPPG	TS-08	1/2	SPAL4213SPPDP	SM3213PPDPAS
TY-06	3/8	SP1095/095DPPG	SM1095/095DPPG	TS-12	3/4	SPAL4267SPPDP	SM4266PPDPAS
TY-08	1/2	SP2127/127DPPG	SM2127/127DPPG	TS-16	1	SPAL5334SPPDP	SM5337PPDPAS
TY-10	5/8	SP2160/160DPPG	SM2160/160DPPG	TS-20	1 1/4	SPAL5422SPPDP	SM5422PPDPAS
TY-12	3/4	SP3190/190DPPG	SM3190/190DPPG	TS-24	1 1/2	SPAL6483SPPDP	SM6483PPDPAS
TY-14	7/8	SP3222/222DPPG	SM3222/222DPPG	TS-32	2	SPAL6603SPPDP	SM7603PPDPAS
TY-16	1	SP3254/254DPPG	SM3254/254DPPG				
TY-20	1 1/4	SP5320/320DPPG	SM5320/320DPPG				
TY-24	1 1/2	SP5381/381DPPG	SM5381/381DPPG				

ACCESSOIRES

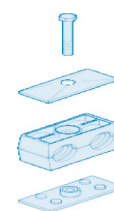
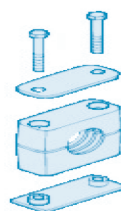
RAIL POUR SUPPORT

Standard	«Heavy duty»
TS11/6.56	STSV100/6





SUPPORT À BOYAU HYDRAULIQUE



Diam. intérieur du boyau	Diam. extérieur nominal (po)	Standard – Simple	Standard - Double
1/4"	0.618	SP3134PPHPAS	SP2135/135DPPH
3/8"	0.776	SP3174PPHPAS	SP3174/174 DPPH
1/2"	0.906	SP3205PPHPAS	SP3200/200 DPPH
3/4"	1.185	SP5278 PPHDPAS	SP5278/278 DPPH
1"	1.531	SP5357 PPHDPAS	SP5357/357DPPH
1 1/4"	1.949	SP5438 PPHDPAS	-